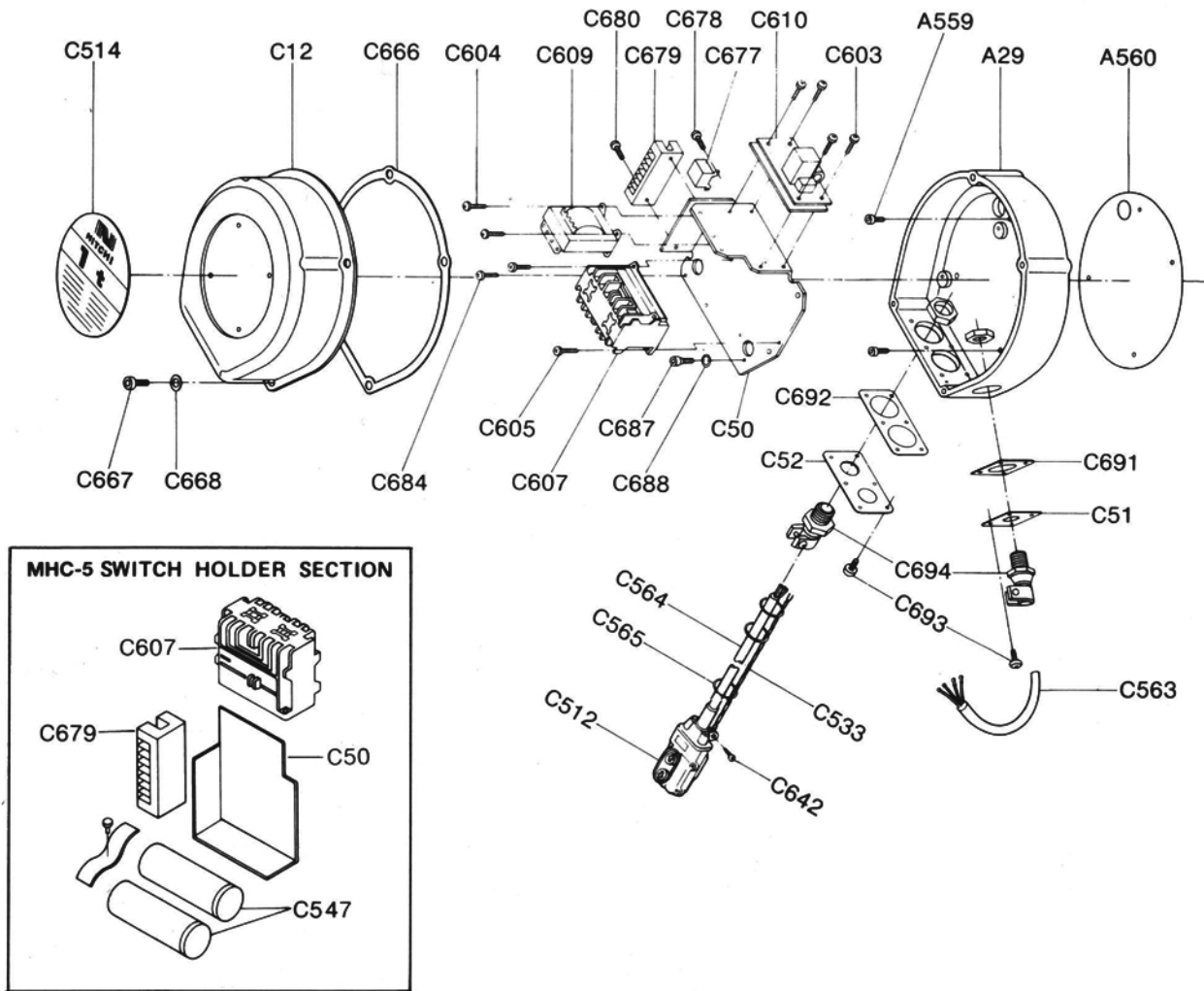
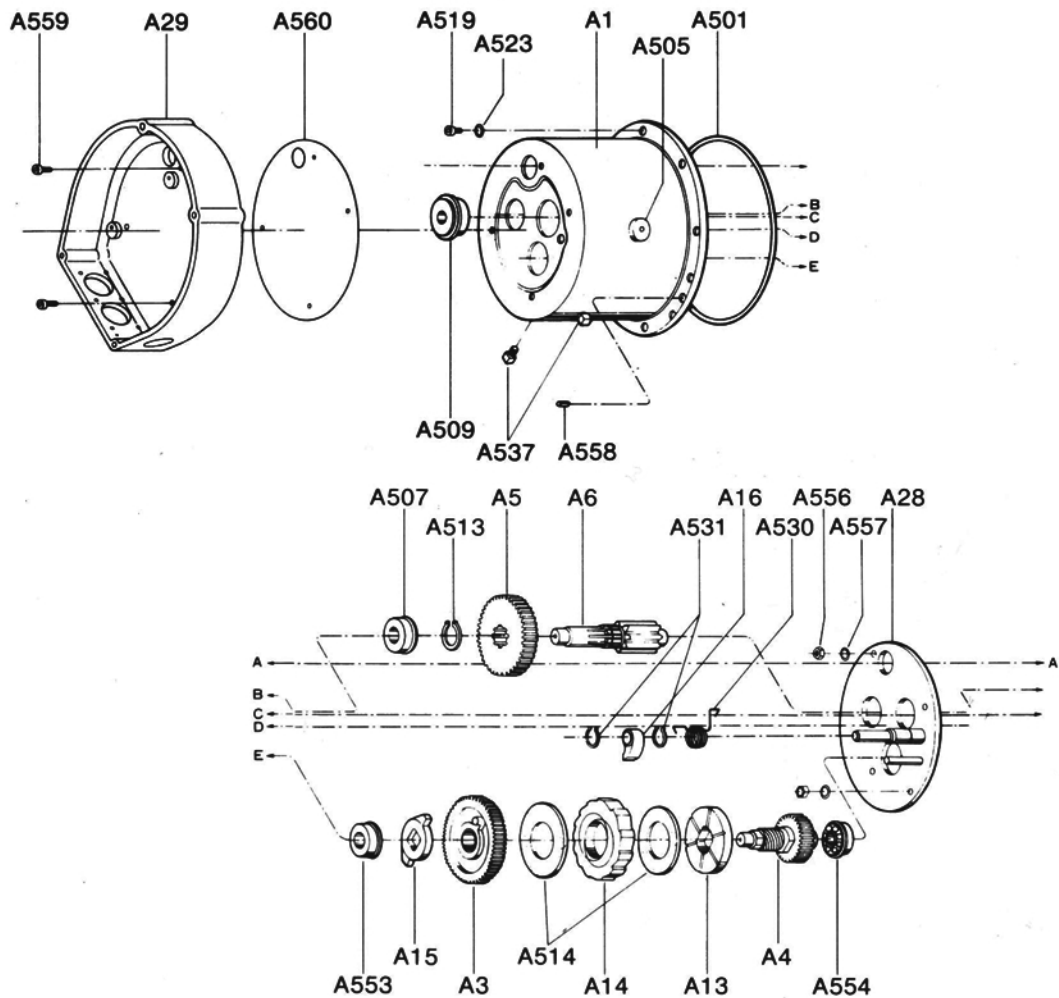


SWITCH HOLDER SECTION



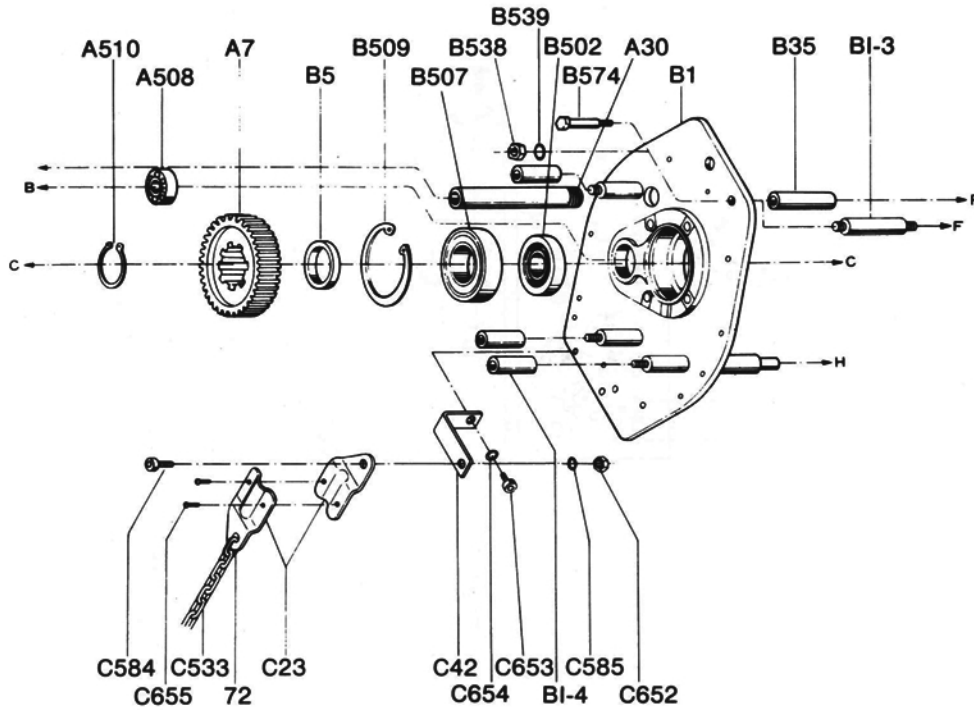
INDEX NO.	PART NAME	NOS. USED	INDEX NO.	PART NAME	NOS. USED
A29	SWITCH HOLDER	1	C607	ELECTROMAGNETIC CONTACTOR	1
A559	CAP BOLTS W/SEAL (0.5, 1t)	4	C609	TRANSFORMER	1
	(2~5t)	7	C610	WARNING RELAY OF NEGATIVE PHASE	1
A560	GASKET FOR A29	1	C642	TAPPING SCREW	1
			C666	GASKET FOR C12	1
C12	SWITCH COVER	1	C667	CAP BOLTS	4
C50	SWITCH BOARD	1	C668	SPRING WASHERS	4
C51	CONNECTING PLATE FOR C563	1	C677	RECTIFIER	1
C52	CONNECTING PLATE FOR CABLE	1	C678	SCREWS	2
C512	PUSH BUTTON	1	C679	TERMINAL BOARD	1
C514	NAME PLATE	1	C680	SCREWS	2
C533	SUPPORTING CHAIN FOR C564	1	C684	SCREW FOR EARTH CORD	1
C563	POWER SOURCE CABLE	1	C687	CAP BOLTS	4
C564	PENDANT CONTROL CABLE	1	C688	SPRING WASHERS	4
C565	RINGS	3	C691	GASKET FOR C51	1
C603	SCREWS	4	C692	GASKET FOR C52	1
C604	SCREWS	4	C693	SCREWS	10
C605	SCREWS (0.5, 1t)	2	C694	CORD LOCKS	2
	(2~5t)	3			2
C547	CONDENSER	2			

SWITCH HOLDER & GEAR BOX SECTION (No.1)



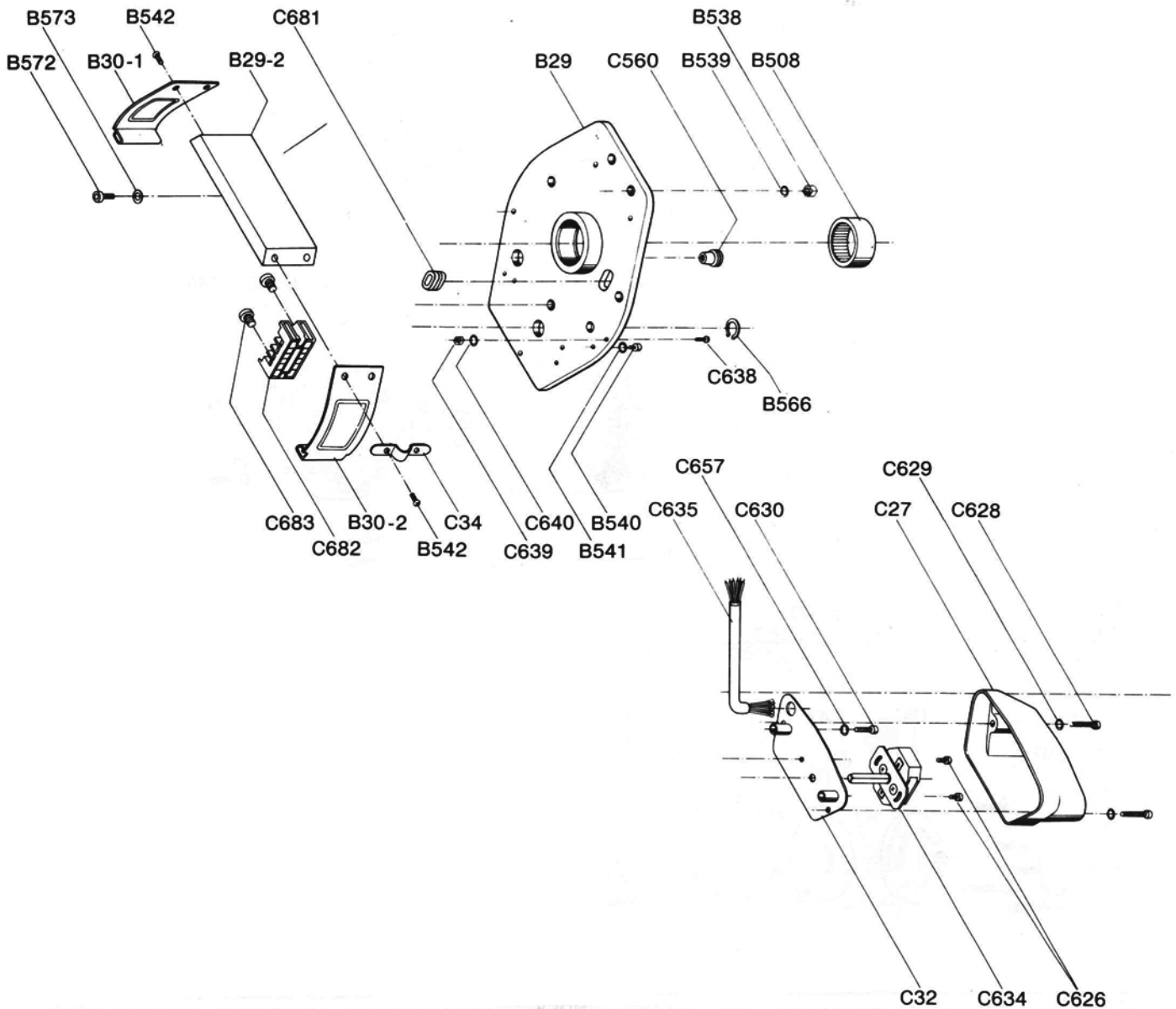
INDEX NO.	PART NAME	NOS. USED	INDEX NO.	PART NAME	NOS. USED
A1	GEAR BOX	1	A513	RETAINING RING	1
A3	PINION GEAR	1	A514	FRICTION DISCS	2
A4	SECOND PINION	1	A519	CAP BOLTS	10
A5	SECOND PINION GEAR	1	A523	SPRING WASHERS	10
A6	THIRD PINION	1	A530	PAWL SPRING	1
A13	DISC HUB	1	A531	RETAINING RINGS	2
A14	RATCHET WHEEL	1	A537	OIL EXTRACTORS (PLUG)	2
A15	CHECK WASHER	1	A553	BALL BEARING	1
A16	PAWL	1	A554	BALL BEARING	1
A28	BRAKE SUPPORTING PLATE	1	A556	NUTS	3
A29	SWITCH HOLDER	1	A557	SPRING WASHERS	3
A501	O-RING	1	A558	SPRING PINS	2
A505	OIL CAP	1	A559	CAP BOLTS W/SEAL (0.5, 1t)	4
A507	BALL BEARING	1	C688	(2~5t)	7
A509	BALL BEARING	1	A560	GASKET FOR A29	1

GEAR BOX SECTION (No.2)



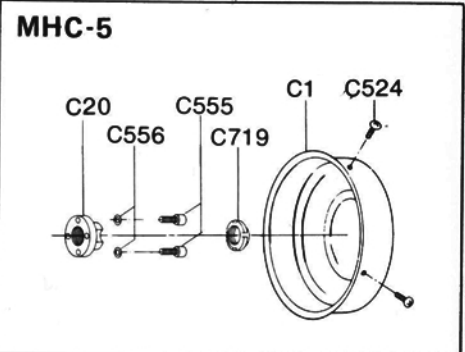
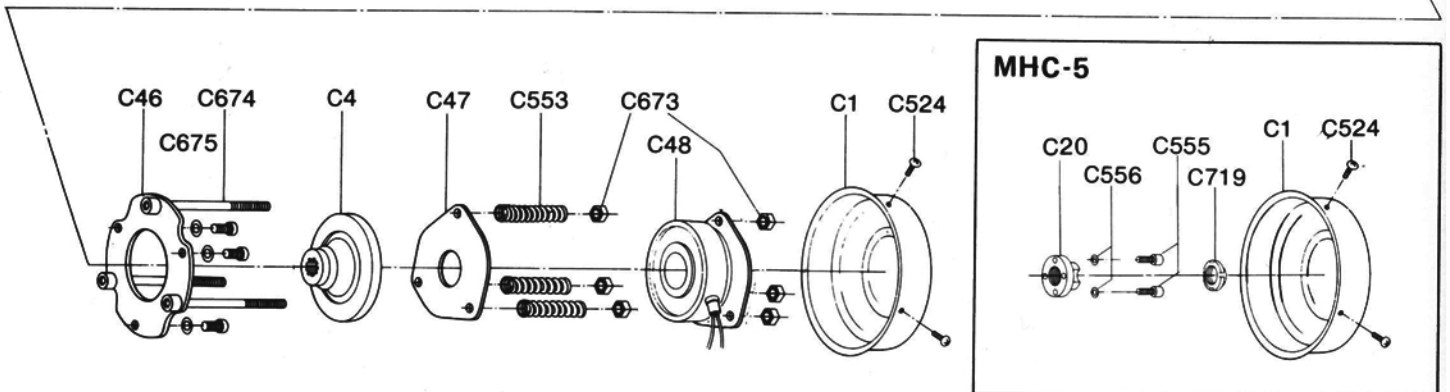
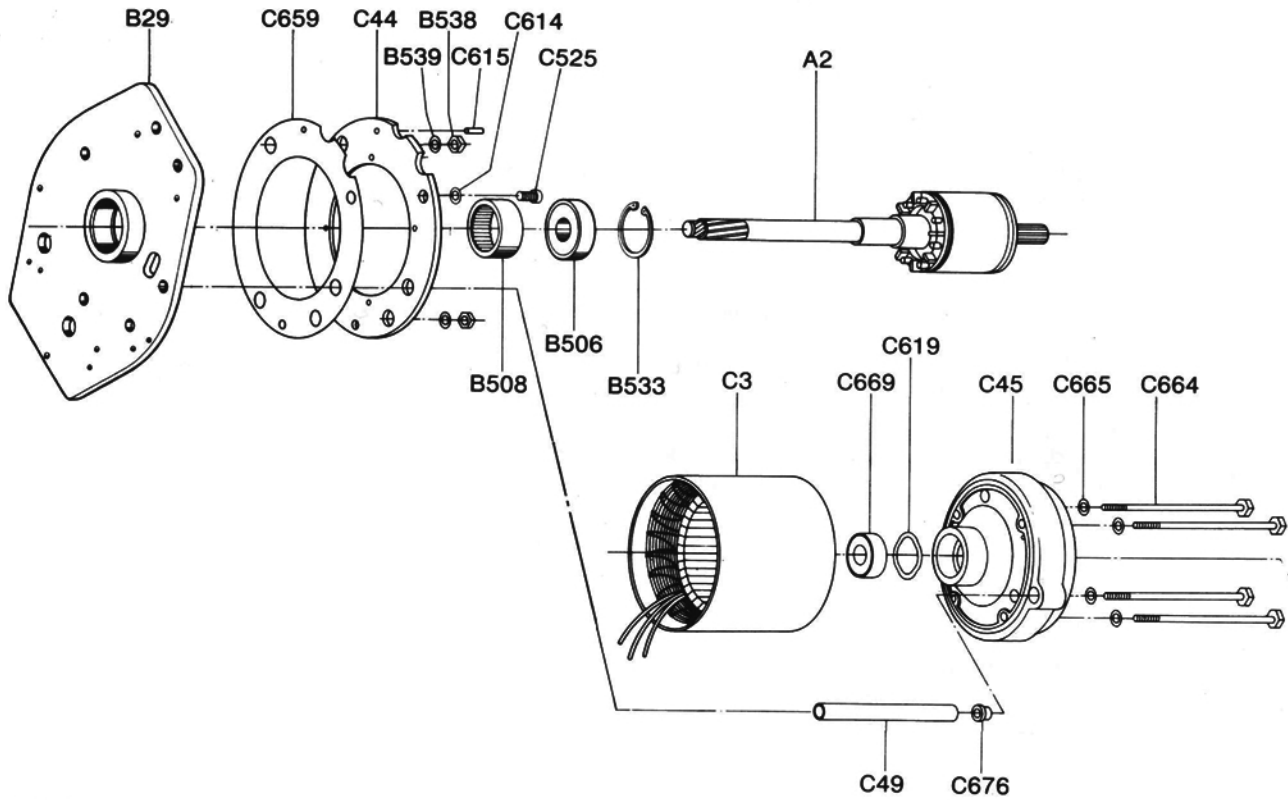
INDEX NO.	PART NAME	NOS. USED	INDEX NO.	PART NAME	NOS. USED
A7	LOAD GEAR	1	B539	SPRING WASHERS (0.5, 1t)	4
A30	PIPE	1		(2~5t)	5
A508	ROLLER BEARING (0.5, 1t)	1	B574	BOLT (0.5, 1t only)	1
	NEEDLE BEARING (2~5t)	1			
A510	RETAINING RING	1	C23	HANGING PLATE FOR C533	1set
			C42	SUPPORTING PLATE FOR C23	1
B1	GEAR-SIDE PLATE	1	C533	SUPPORTING CHAIN FOR C564	1
B1-3	STAY BOLT B (2~5t)	1	C584	CAP BOLT	1
B1-4	STAY PIPE A	3	C585	SPRING WASHER	1
B5	COLLAR FOR B4	1	C652	NUT	1
B35	STAY PIPE B (0.5, 1t only)	1	C653	CAP BOLT	1
B502	OIL SEAL	1	C654	SPRING WASHER	1
B507	BALL BEARING	1	C655	SCREWS	2
B509	RETAINING RING	1			
B538	NUTS (0.5, 1t)	4			
	(2~5t)	5	72	SAFETY LINK	1

LIMIT SWITCH SECTION



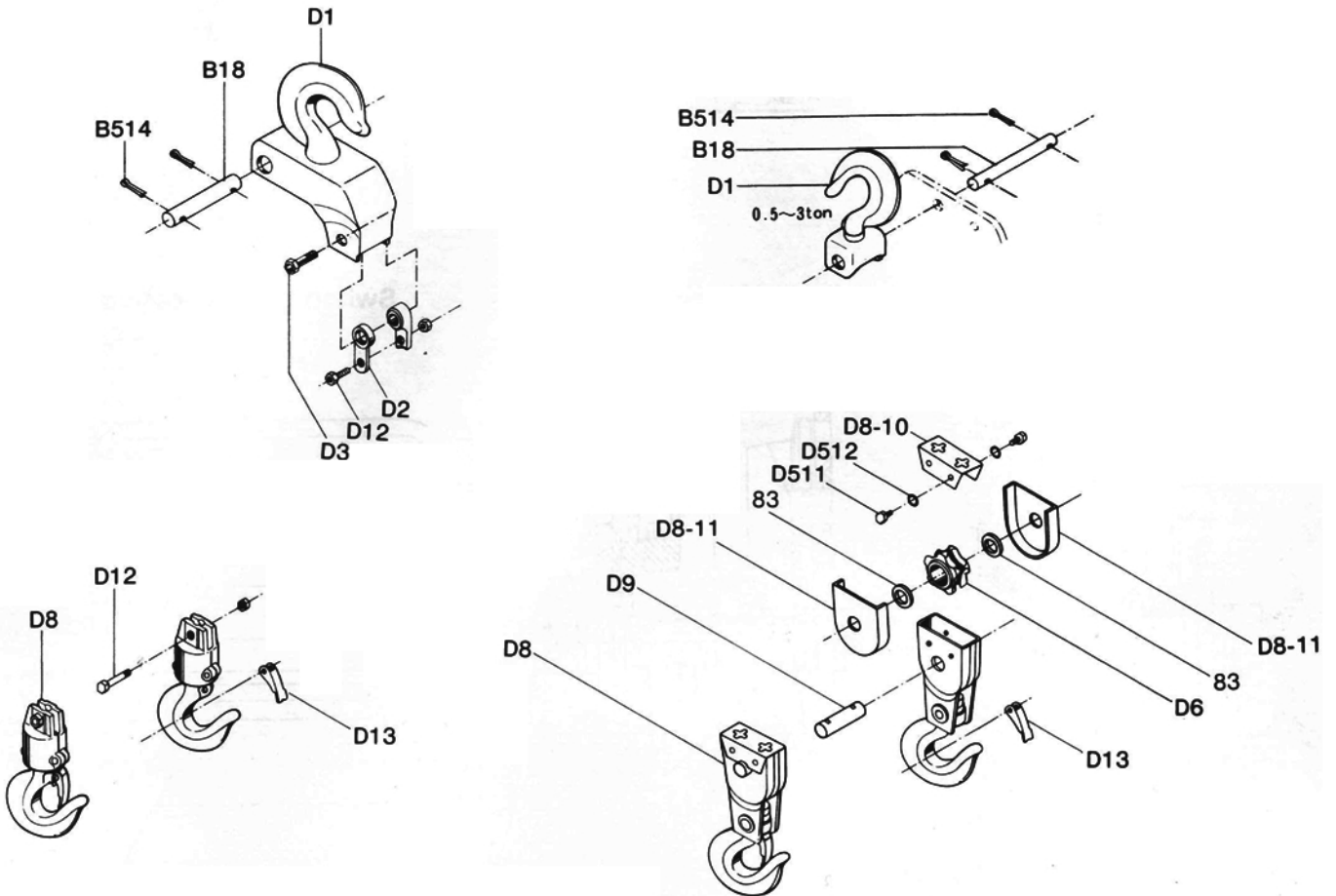
INDEX NO.	PART NAME	NOS. USED	INDEX NO.	PART NAME	NOS. USED
B29	MOTOR-SIDE PLATE	1	C27	LIMIT SWITCH COVER	1
B29-2	BODY COVER A	1	C32	LIMIT SWITCH PLATE	1
B30-1	BODY COVER B	1	C34	SUPPORTER FOR C563	1
B30-2		1	C560	BLIND BUSHING	1
B508	NEEDLE BEARING	1	C626	SCREWS	2
B538	NUTS (0.5, 1t)	4	C628	CA BOLTS	2
		5	C629	SPRING WASHERS	2
B539	SPRING WASHERS (0.5, 1t)	4	C630	CAP BOLTS	2
		5	C634	LIMIT SWITCH	1
B540	CAP BOLT	1	C635	LIMIT SWITCH CABLE	1
B541	SPRING WASHER	1	C638	SCREW	1
B542	SCREWS	4	C639	NUT	1
B566	RETAINING RING	1	C640	SPRING WASHER	1
B572	CAP BOLT	1	C657	SPRING WASHERS	2
B573	SPRING WASHER	1	C681	BUSHING FOR MOTOR LEAD WIRE	1
			C682	TERMINAL BOARD	1
			C683	SCREWS	2

MOTOR SECTION



INDEX NO.	PART NAME	NOS. USED	INDEX NO.	PART NAME	NOS. USED
A2	PINION SHAFT (W/ROTOR)	1	C49	PIPE FOR LEAD WIRE	1
B29	MOTOR-SIDE PLATE	1	C525	CAP BOLT	1
B506	BALL BEARING	1	C614	SPRING WASHER	1
B508	NEEDLE BEARING	1	C615	SPRING PINS	2
B533	RETAINING RING	1	C619	WAVE WASHER	1
B538	NUTS (0.5, 1t)	4	C659	GASKET FOR MOTOR CASE	1
	(2~5t)	5	C664	THROUGH BOLTS	4
B539	SPRING WASHERS (0.5, 1t)	4	C665	SPRING WASHERS	4
	(2~5t)	5	C669	BALL BEARING	1
C3	STATOR FOR MOTOR	1	C676	BUSHING FOR C49	1
C1	MOTOR COVER	1	C524	SCREWS	3
C4	BRAKE WHEEL	1	C553	BRAKE SPRINGS	3
C20	BRAKE ADJUSTING NUT (MHC-5 Only)	1	C555	CAP BOLT (MHC-5 Only)	2
C46	BRAKE BASE PLATE	1	C556	SPRING WASHER (MHC-5 Only)	2
C47	ARMATURE	1	C673	ADJUSTING NUTS FOR BRAKE	6
C48	BRAKE COIL	1	C674	CAP BOLTS	3
C44	MOTOR FLANGE	1	C675	SPRING WASHERS	3
C45	SHIELD	1	C719	BEARING U NUT (MHC-5 Only)	1

TOP & BOTTOM HOOKS SECTION



INDEX NO.	PART NAME	NOS. USED	INDEX NO.	PART NAME	NOS. USED
D1	TOP HOOK ASSEMBLY	1	D12	BOLT FOR D8	1
D2	CHAIN STOP PLATE (5t only)	1set	D13	SAFETY LATCH ASSEMBLY	1set
D3	YOKE PIN W/NUT (5t only)	1set	D511	BOLTS (5t only)	4
D6	TAIL WHEEL	1	D512	SPRING WASHERS (5t only)	4
D8	BOTTOM HOOK ASSEMBLY	1	83	WASHER FOR TOP, TAIL WHEEL	2
D8-10	TAIL WHEEL GUIDE A (5t only)	1			
D8-11	TAIL WHEEL GUIDE B (5t only)	2	B18	TOP HOOK PIN	1
D9	TAIL WHEEL PIN (5t only)	1	B514	SPLIT PINS	2